

0054841

D Handlauf
Montageanleitung

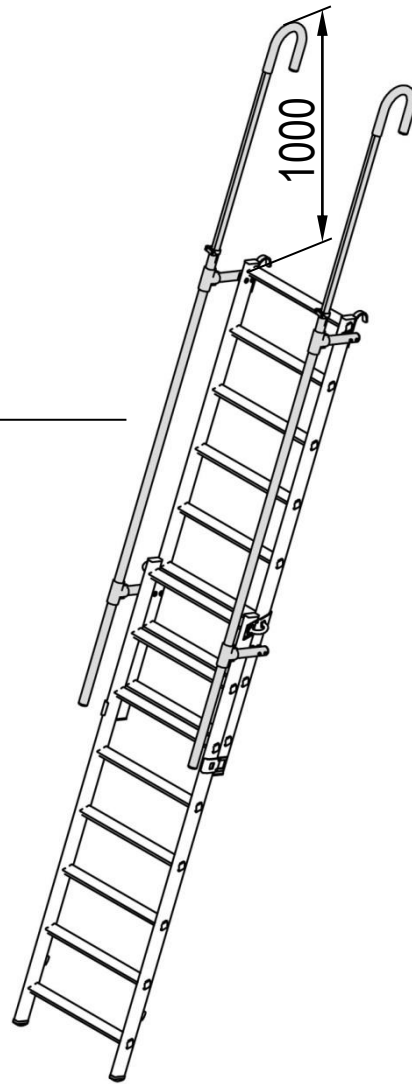
GB Handrail
Assembly instructions

F Main courante
Instructions de montage

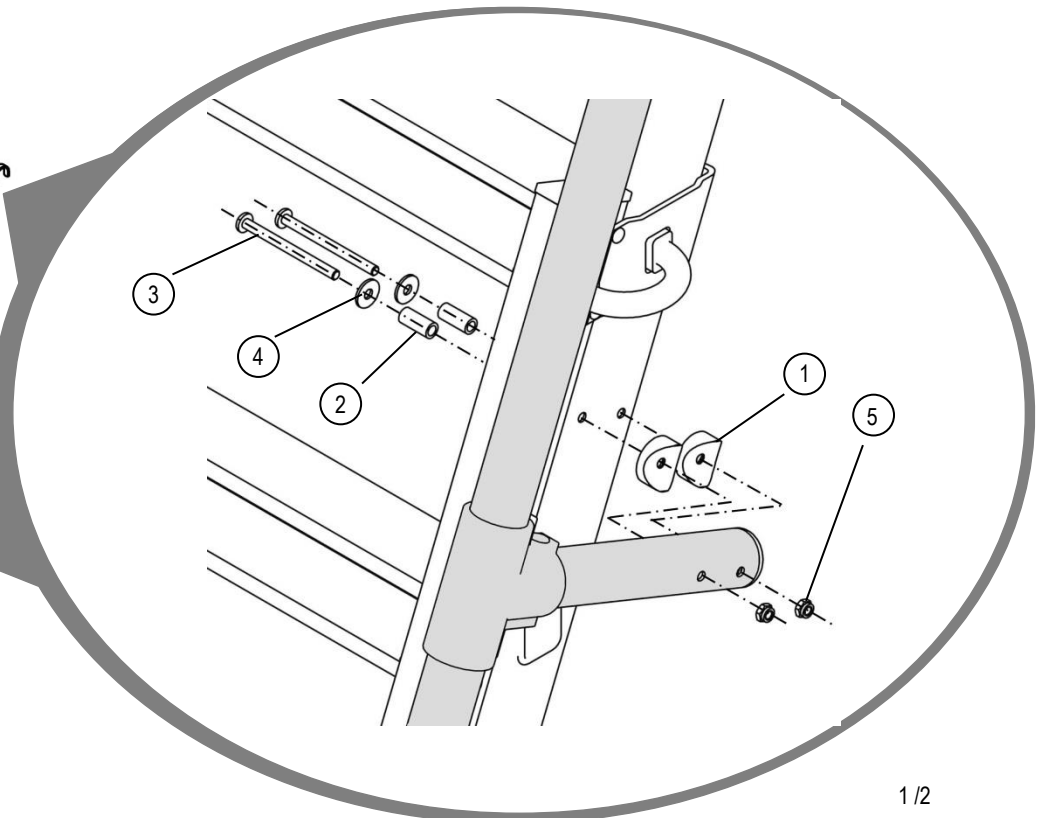
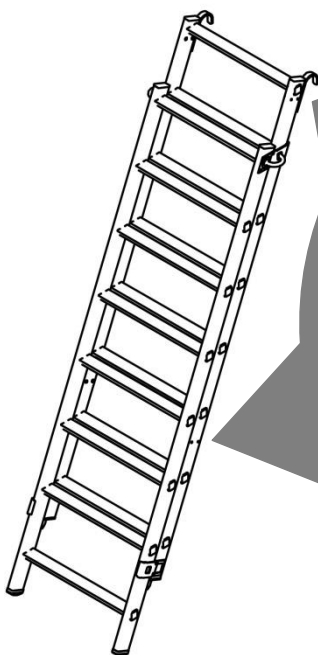
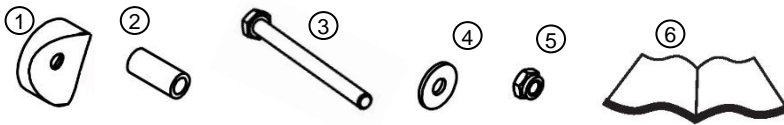
E Pasamanos
Instrucciones de montaje



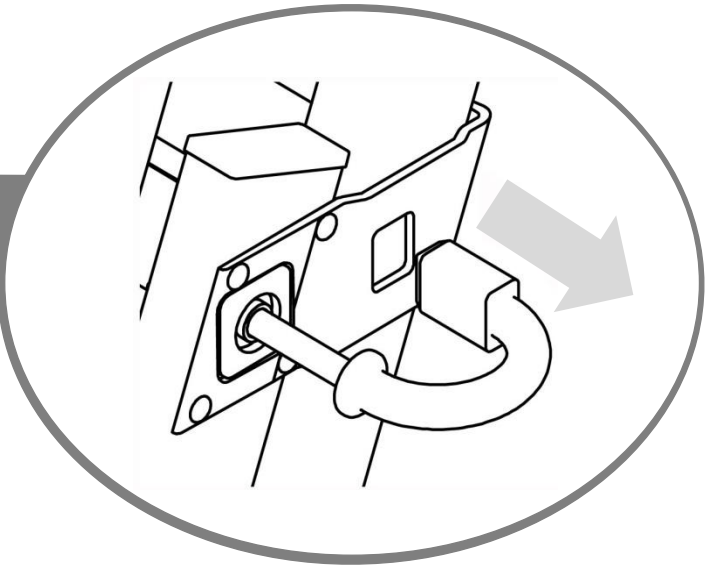
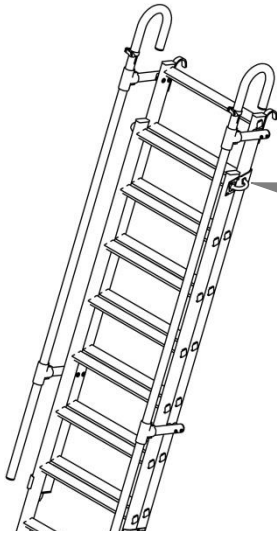
2 x 10"



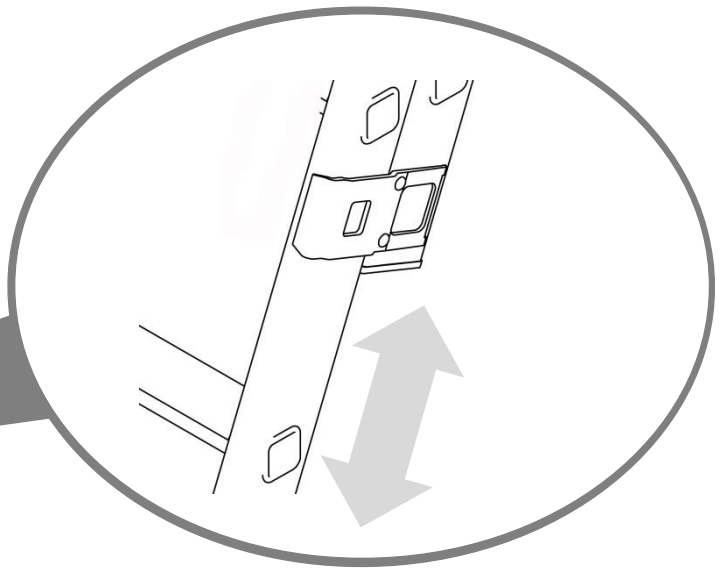
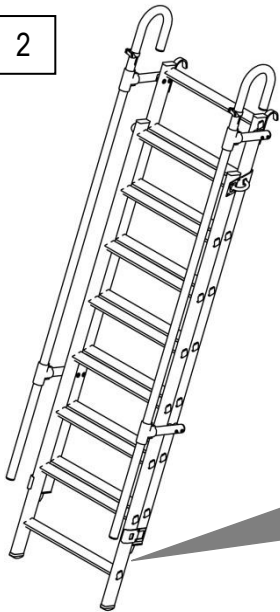
| Pos | | |
|-----|---------|---|
| 1 | 042404 | 8 |
| 2 | 004416 | 8 |
| 3 | 006296 | 8 |
| 4 | 006837 | 8 |
| 5 | 006714 | 8 |
| 6 | 0095757 | 1 |



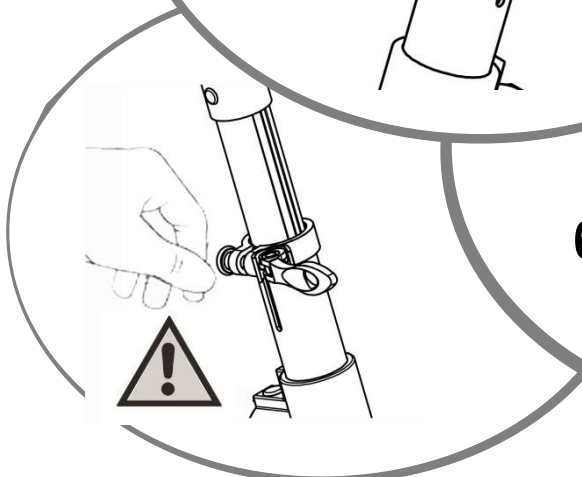
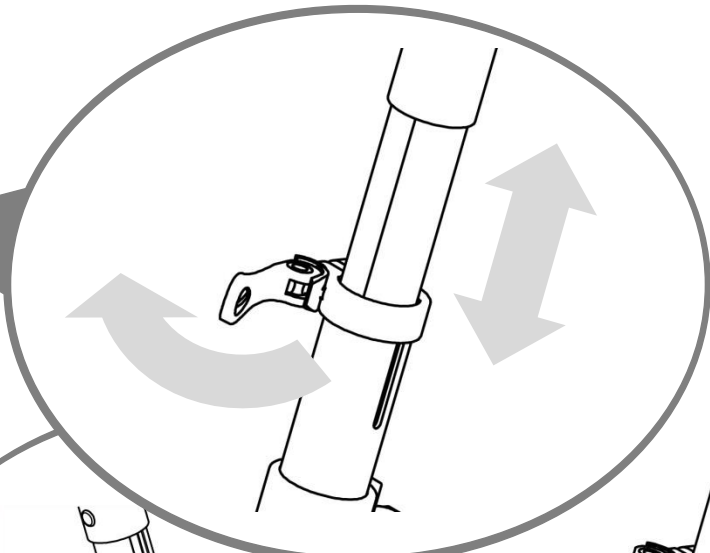
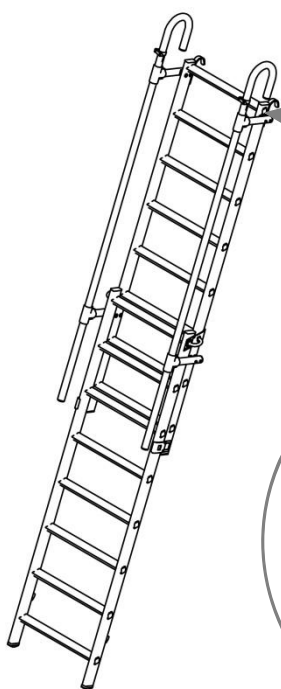
1



2



3



60 N

STOP